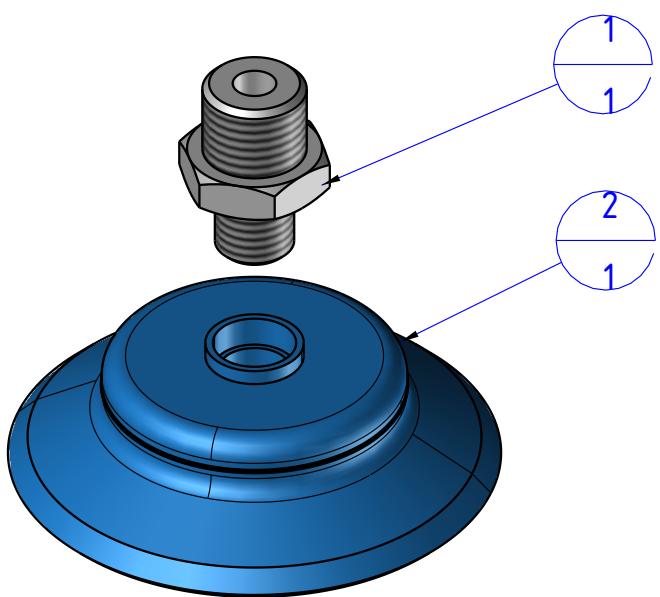
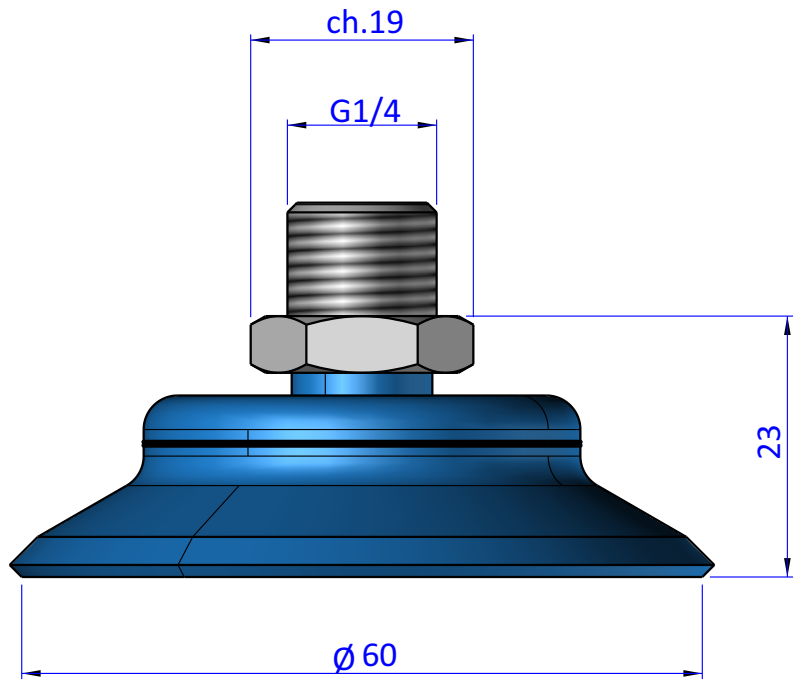
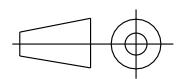


Item	Name	Q.ty
1	CA.08.09.019	1
2	CA.08.29.012	1



THE PROPERTY OF THE DRAWING IS ESTABLISHED BY LAW. IT IS FORBIDDEN TO PRODUCE OR SHOW IT TO THIRD PART - WITHOUT A WRITTEN AGREEMENT.



DESIGNED FROM FPS Automation		REVIEW A
DATE 07/01/2021	WEIGHT 0,033kg	
CODE KIT.08.29.D60		

Format **A4**
UNI 936-76

GENERAL TOLERANCE
UNI - ISO 2768
CLASSE **f**

DESCRIPTION
KIT.08.29.D60